

# QSI LASER DIODE

## SPECIFICATIONS FOR APPROVAL

**Customer :**

**Model : QL90F7S-A/B/C**

**Signature of Approval**

**Approved by** \_\_\_\_\_

**Checked by** \_\_\_\_\_

**Issued by** \_\_\_\_\_

**Approval by Customer**

---



**QSI Co., Ltd.**

**315-9, Cheonheung-ri, Sungger-eup,  
Cheonan-city, Chungnam, Korea 330-836**

**[WWW.QSILaser.com](http://WWW.QSILaser.com)**

# QL90F7S-A/B/C

## InGaAs Laser Diode

Quantum Semiconductor International Co., Ltd.

Jun.2004. Ver. 0

### ◆ OVERVIEW

QL90F7S-A/B/C is a MOCVD grown 905nm band *InGaAs* laser diode with quantum well structure. It's an attractive light source, with a typical light output power of 10mW for Laser, industrial optical module and sensor application

### ◆ APPLICATION

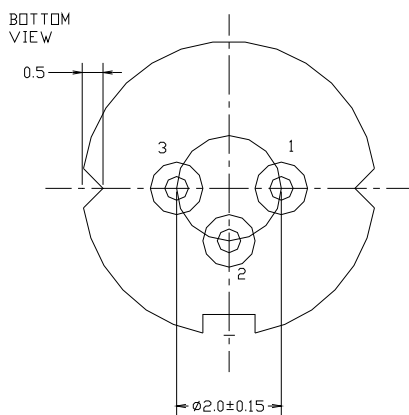
- Sensor

### ◆ FEATURES

- Visible Light Output :  $\lambda_p = 905 \text{ nm}$
- Optical Power Output : 10mW CW
- Package Type : TO-18 (5.6mm $\phi$ )
- Built-in Photo Diode for Monitoring Laser Diode

### ◆ ELECTRICAL CONNECTION

#### Bottom View



#### Pin Configuration

A	LD cathode, PD anode (Fig. 1)
B	LD , PD anode (Fig. 2)
C	LD anode, PD cathode (Fig. 3)

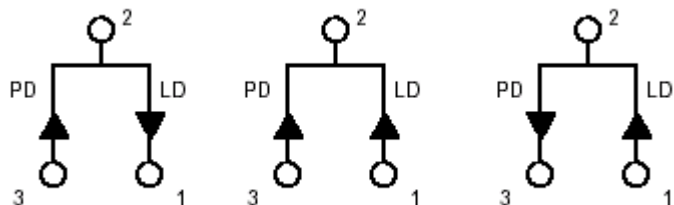


Fig. 1

QL90F7SA

Fig. 2

QL90F7SB

Fig. 3

QL90F7SC

◆ **ABSOLUTE MAXIMUM RATING at Tc=25°C**

Items	Symbols	Values	Unit
Optical Output Power	P	12	mW
Laser Diode Reverse Voltage	V	2	V
Photo Diode Reverse Voltage	V	30	V
Operating Temperature	Topr	-10 ~ +70	°C
Storage Temperature	Tstg	-40 ~ +85	°C

◆ **ELECTRICAL and OPTICAL CHARACTERISTICS at Tc=25°C**

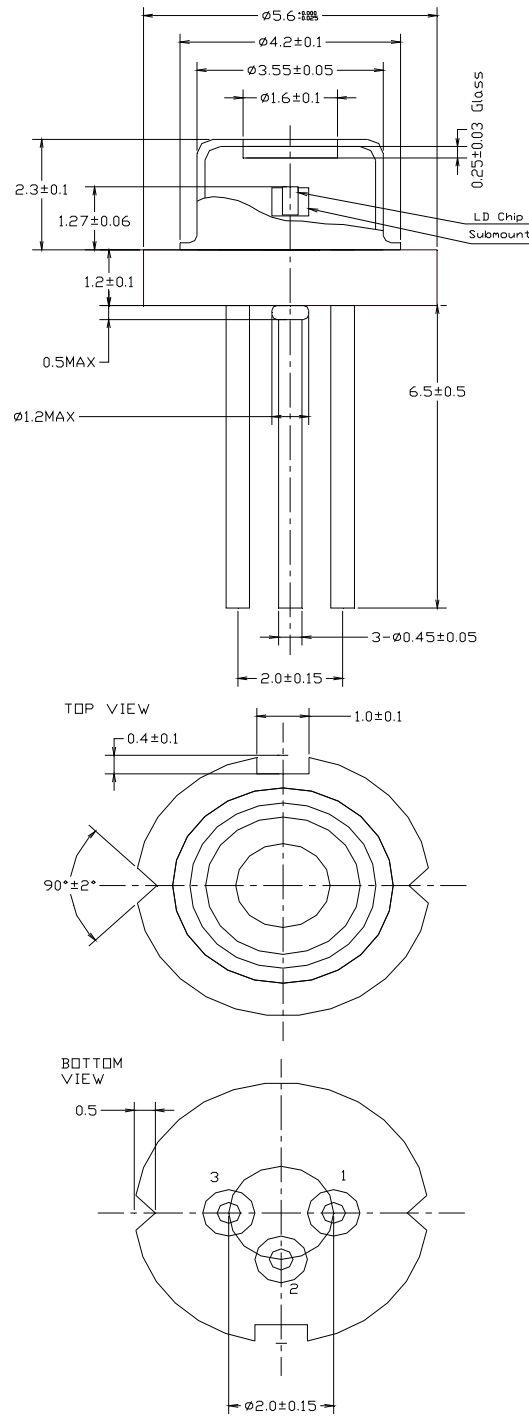
Items	Symbols	Min.	Typ.	Max.	Unit	Condition
Optical Output Power	Po	-	10	-	mW	-
Threshold Current	Ith	-	12	25	mA	-
Operating Current	Iop	-	35	60	mA	Po=10mW
Operating Voltage	Vop	1.5	1.8	2.3	V	Po=10mW
Slope Efficiency	SE	0.3	0.5	0.7	mW/mA	
Lasing Wavelength	$\lambda_p$	885	905	915	nm	Po=10mW
Beam Divergence	$\theta_{  }$	7	10	15	deg	Po=10mW
	$\theta_{\perp}$	28	35	38	deg	Po=10mW
Beam Angle	$\Delta\theta_{  }$	-	-	$\pm 2.5$	deg	Po=10mW
	$\Delta\theta_{\perp}$	-	-	$\pm 3.0$	deg	Po=10mW
Monitor Current	Im	0.1	0.4	0.6	mA	Po=10mW
Optical Distance	$\Delta X, \Delta Y, \Delta Z$	-	-	60	$\mu\text{m}$	Po=10mW

**NOTICE : QL90F7S-A/B/C to be operated on APC**

The above product specifications are subject to change without notice.



# ◆ PACKAGE DIMENSION



# ◆PACKING

