

Lead (Pb) Free Product – RoHS Compliant

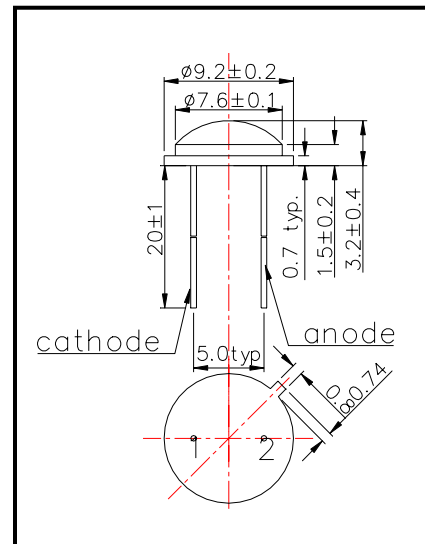
PD035P00 stem type photo-diode

PD035P00 is a PIN-photodiode featuring excellent responsivity and high photocurrent. This PIN-photodiode consists of a large chip with 3.0mm*3.0mm active area mounted on the TO-39 stem and is sealed with epoxy resin. These devices are designed to be easy of setting up optically with a wide angle of half sensitivity.

◆ Specifications

- 1) Product Name Stem Type Photo-Diode
- 2) Type No. PD035P00
- 3) Chip
- (1) Chip Size 3.5mm*3.5mm
- (2) Active Area 3.0mm*3.0mm
- 4) Package
- (1) Type TO-39
- (2) Lens Epoxy Resin

◆ Outer dimension (Unit: mm)



◆ Absolute Maximum Ratings [Ta=25°C]

Item	Symbol	Maximum Rated Value	Unit
Reverse Breakdown Voltage	V(BR)R	170	V
Operating Temperature	T _{OPR}	-25 ~ +100	°C
Storage Temperature	T _{STG}	-30 ~ +125	°C
Soldering Temperature	T _{SOL}	240	°C

‡Soldering condition: Soldering condition must be completed within 2 seconds at 240°C

◆ Electro-Optical Characteristics [Ta=25°C]

Item	Symbol	Condition	Minimum	Typical	Maximum	unit
Reverse Photo Current	I _L	V _R =10V, L=1000Lx		130		uA
Reverse Dark Current	I _D	V _R =10V		5	30	nA
Open Circuit Voltage	V _{OC}	V _R =10V, L=1000Lx		350		mV
Spectral Responsivity (Peak)	λ _P			900		nm
Half Angle of Sensitivity	θ _{1/2}			±65		deg.
Total Capacitance	C _T	V _R =10V, f=1MHz		25		pF
Rise/Fall Time (10%~90%)	t _r	R _L =1K, V _R =10V		300		ns
	t _f			600		ns