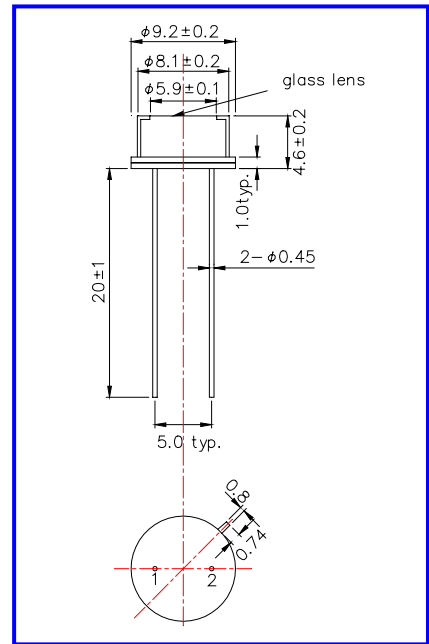


Lead (Pb) Free Product – RoHS Compliant

PD032P96 hermetical sealing type photo-diode

PD032P96 is a PIN-photodiode featuring excellent responsivity and high photocurrent. This PIN-photodiode consists of a large chip with 2.8 × 2.8mm active area mounted on the TO-39 stem and is hermetical sealed by metal can with flat lens. These devices are designed to be easy of setting up optically with a wide angle of half sensitivity of ±50degrees.

Outer dimension (Unit : mm)



Specifications

- 1)Product Name Hermetical Sealing Type Photo-Diode
- 2)Type No. PD032P96
- 3)Chip
 - (1)Chip Size 3.2mm × 3.2mm
 - (2)Active Area 2.8mm × 2.8mm
- 4)Package
 - (1)Type TO-39
 - (2)Lens Glass Flat Lens
 - (3)Cap Gold Plated

Absolute Maximum Ratings [Ta=25]

Item	Symbol	Maximum Rated Value	Unit
Reverse Breakdown Voltage	V _{(BR)R}	170	V
Operating Temperature	T _{OPR}	-25 ~ +100	
Storage Temperature	T _{STG}	-30 ~ +125	
Soldering Temperature	T _{SOL}	240	

‡Soldering condition : Soldering condition must be completed within 2 seconds at 240

Erectro-Optical Characteristics [Ta = 25]

Item	Symbol	Condition	Minimum	Typical	Maximum	unit
Reverse Photo Current	I _L	V _R =10V,L=1000LX		80		μ A
Reverse Dark Current	I _D	V _R =10V		5	30	nA
Open Circuit Voltage	V _{OC}	V _R =10V,L=1000LX		350		mV
Spectral Responsivity (Peak)	P			900		nm
Half Angle of Sensitivity				± 50		deg.
Total Capacitance	C _T	V _R =10V,f=1MHz		25		pF
Rise/Fall Time (10% ~ 90%)	t _r	R _L =1K ,V _R =10V		50		ns
	t _f			50		ns