

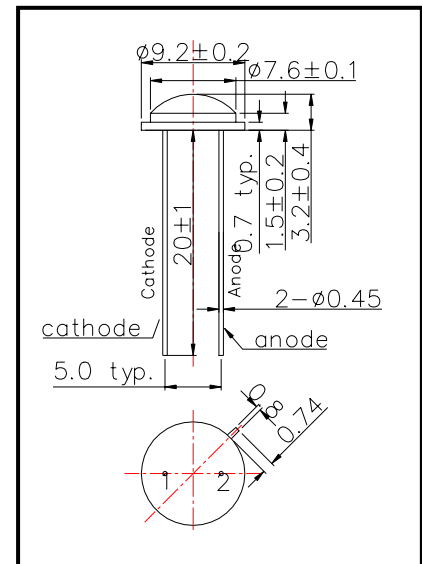
Lead (Pb) Free Product – RoHS Compliant

PD032P00 stem type photo-diode

PD032P00 is a PIN-photodiode featuring excellent responsibility and high photocurrent. This PIN-photodiode consists of a large chip with 2.8mmx2.8mm active area mounted on the TO-39 stem and is sealed with epoxy resin.

These devices are designed to be easy of setting up optically with a wide angle of half sensitivity.

◆Outer dimension (Unit: mm)



◆Specifications

- 1)Product Name Stem Type Photo-Diode
- 2) Type No. PD032P00
- 3) Chip
- (1) Chip Size 3.2mm × 3.2mm
- (2) Active Area 2.8mm × 2.8mm
- 4) Package
- (1) Type TO-39
- (2) Lens Epoxy Resin

◆Absolute Maximum Ratings [Ta=25°C]

Item	Symbol	Maximum Rated Value	Unit
Reverse Breakdown Voltage	V(BR)R	170	V
Operating Temperature	T _{OPR}	-25 ~ +100	°C
Storage Temperature	T _{STG}	-30 ~ +125	°C
Soldering Temperature	T _{SOL}	240	°C

‡Soldering condition: Soldering condition must be completed within 2 seconds at 240°C

◆Electro-Optical Characteristics [Ta=25°C]

Item	Symbol	Condition	Minimum	Typical	Maximum	unit
Reverse Photo Current	I _L	V _R =10V,L=1000Lx		100		uA
Reverse Dark Current	I _D	V _R =10V		5	30	nA
Open Circuit Voltage	V _{OC}	V _R =10V,L=1000Lx		350		mV
Spectral Responsivity (Peak)	λ _P			900		nm
Half Angle of Sensitivity	θ _{1/2}			±65		deg.
Total Capacitance	C _T	V _R =10V,f=1MHz		25		pF
Rise/Fall Time(10%~90%)	t _r	R _L =1K ,V _R =10V		50		ns
	t _f			50		ns