

Lead ( Pb ) Free Product – RoHS Compliant

# PD023F32 hermetical sealing type photo-diode

PD023F32 is a PIN-photodiode featuring excellent responsibility and high photocurrent.

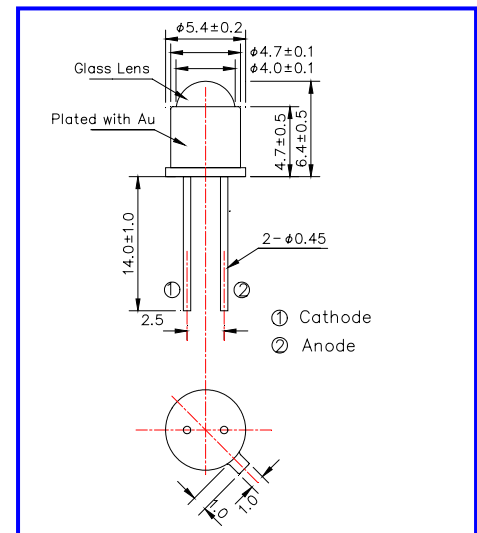
This PIN-photodiode consists of a large chip with  $2.0 \times 2.0\text{mm}$  active area mounted on the TO-46 stem and is hermetical sealed by metal can with ball lens.

These devices are designed to be easy of setting up optically with a wide angle of half sensitivity of  $\pm 30\text{degrees}$ .

## Specifications

- 1)Product Name Hermetical Sealing Type Photo-Diode
- 2)Type No. PD023F32
- 3)Chip
  - (1)Chip Size  $2.3\text{mm} \times 2.3\text{mm}$
  - (2)Active Area  $2.0\text{mm} \times 2.0\text{mm}$
- 4)Package
  - (1)Type TO-46
  - (2)Lens Glass Spherical Ball Lens
  - (3)Cap Gold Plated

Outer dimension (Unit : mm)



## Absolute Maximum Ratings [Ta=25 ]

Item	Symbol	Maximum Rated Value	Unit
Reverse Breakdown Voltage	$V_{(BR)R}$	170	V
Operating Temperature	$T_{OPR}$	-25 ~ +100	
Storage Temperature	$T_{STG}$	-30 ~ +125	
Soldering Temperature	$T_{SOL}$	240	

‡Soldering condition : Soldering condition must be completed within 2 seconds at 240

## Electro-Optical Characteristics [Ta = 25 ]

Item	Symbol	Condition	Minimum	Typical	Maximum	unit
Reverse Photo Current	$I_L$	$V_R=10V, L=1000Lx$		40		$\mu A$
Reverse Dark Current	$I_D$	$V_R=10V$		5	30	nA
Open Circuit Voltage	$V_{OC}$	$V_R=10V, L=1000Lx$		390		mV
Spectral Responsivity (Peak)	$P$			900		nm
Half Angle of Sensitivity				$\pm 30$		deg.
Total Capacitance	$C_T$	$V_R=10V, f=1MHz$		18		pF
Rise/Fall Time (10% ~ 90%)	$t_r$	$R_L=1K, V_R=10V$		45		ns
	$t_f$			45		ns