

Lead ( Pb ) Free Product – RoHS Compliant

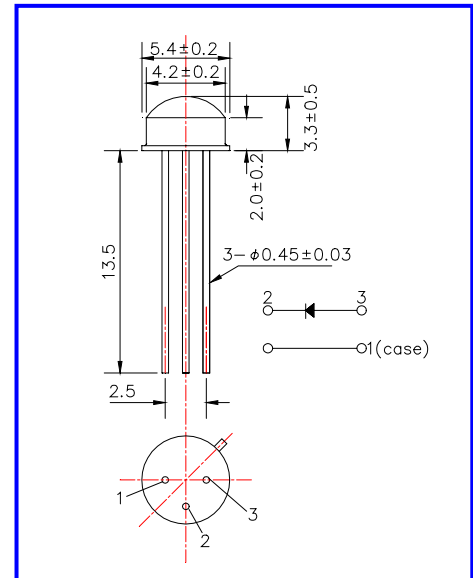
# PD018D00 stem type photo-diode

PD018D00 is a PIN-photodiode featuring excellent responsibility and high photocurrent. This PIN-photodiode consists of a large chip with  $1.6 \times 1.6\text{mm}$  active area mounted on the TO-18 stem (3pins) and is sealed with epoxy resin. These devices are designed to be easy of setting up optically with a wide angle of half sensitivity.

## Specifications

1)Product Name	Stem Type Photo-Diode
2)Type No.	PD018D00
3)Chip	
(1)Chip Size	1.8mm × 1.8mm
(2)Active Area	1.6mm × 1.6mm
4)Package	
(1)Type	TO-18(3pins)
(2)Lens	Epoxy Resin

Outer dimension (Unit : mm)



## Absolute Maximum Ratings [Ta=25 ]

Item	Symbol	Maximum Rated Value	Unit
Reverse Breakdown Voltage	$V_{(BR)R}$	170	V
Operating Temperature	$T_{OPR}$	-25 ~ +100	
Storage Temperature	$T_{STG}$	-30 ~ +125	
Soldering Temperature	$T_{SOL}$	240	

‡Soldering condition : Soldering condition must be completed within 2 seconds at 240

## Erectro-Optical Characteristics [Ta = 25 ]

Item	Symbol	Condition	Minimum	Typical	Maximum	unit
Reverse Photo Current	$I_L$	$V_R=10V, L=1000LX$		20		$\mu A$
Reverse Dark Current	$I_D$	$V_R=10V$			10	nA
Open Circuit Voltage	$V_{OC}$	$V_R=10V, L=1000LX$		410		mV
Spectral Responsivity (Peak)	$P$			900		nm
Half Angle of Sensitivity				$\pm 60$		deg.
Total Capacitance	$C_T$	$V_R=10V, f=1MHz$		18		pF
Rise/Fall Time (10% ~ 90%)	$t_r$	$R_L=1K, V_R=10V$		30		ns
	$t_f$			30		ns