

Lead (Pb) Free Product – RoHS Compliant

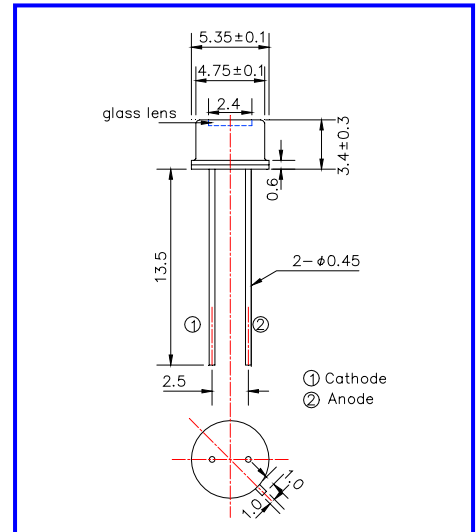
PD015F52 hermetical sealing type photo-diode

PD015F52 is a PIN-photodiode featuring excellent responsibility and high photocurrent. This PIN-photodiode consists of a large chip with 1.3 × 1.3mm active area mounted on the TO-46 stem and is hermetical sealed by metal can with flat lens. These devices are designed to be easy of setting up optically with a wide angle of half sensitivity of ± 18degrees.

Specifications

- 1)Product Name Hermetical Sealing Type Photo-Diode
- 2)Type No. PD015F52
- 3)Chip
 - (1)Chip Size 1.5mm × 1.5mm
 - (2)Active Area 1.3mm × 1.3mm
- 4)Package
 - (1)Type TO-46
 - (2)Lens Glass Flat Lens
 - (3)Cap Gold Plated

Outer dimension (Unit : mm)



Absolute Maximum Ratings [Ta=25]

Item	Symbol	Maximum Rated Value	Unit
Reverse Breakdown Voltage	V(BR)R	170	V
Operating Temperature	T _{OPR}	-25 ~ +100	
Storage Temperature	T _{STG}	-30 ~ +125	
Soldering Temperature	T _{SOL}	240	

‡Soldering condition : Soldering condition must be completed within 2 seconds at 240

Erectro-Optical Characteristics [Ta = 25]

Item	Symbol	Condition	Minimum	Typical	Maximum	unit
Reverse Photo Current	I _L	V _R =10V, L=1000Lx		14		μ A
Reverse Dark Current	I _D	V _R =10V			10	nA
Open Circuit Voltage	V _{OC}	V _R =10V, L=1000Lx		410		mV
Spectral Responsivity (Peak)	P			900		nm
Half Angle of Sensitivity				± 18		deg.
Total Capacitance	C _T	V _R =10V, f=1MHz		6		pF
Rise/Fall Time (10% ~ 90%)	t _r	R _L =1K , V _R =10V		10		ns
	t _f			10		ns