

Lead (Pb) Free Product – RoHS Compliant

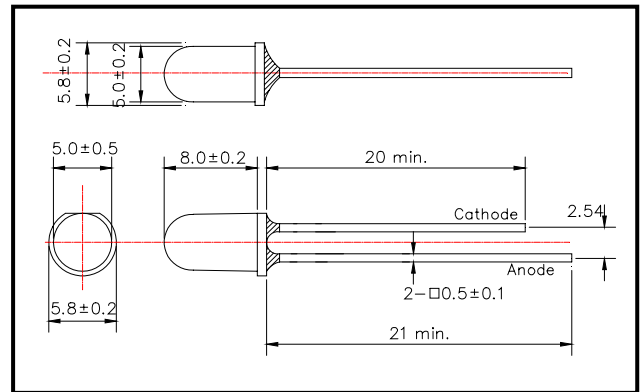
PD010-01 mold type PIN - Photodiode

PD010-01 is a PIN-photodiode featuring excellent responsibility of 10ns and high photocurrent. This PIN-photodiode consists of a large chip with 0.8 × 0.8mm active area mounted on a lead frame with a 5 clear epoxy lens. These devices are designed to be easy of setting up optically with a wide angle of half sensitivity of ± 15 degrees.

Specifications

- 1) product name epoxy mold type PIN-Photodiode
- 2) type No. PD010-01
- 3) chip
 - (1) chip size 1.0mm × 1.0mm
 - (2) active area 0.8mm × 0.8mm
- 4) package
 - (1) type lead frame
 - (2) resin material epoxy resin

Outer dimension (Unit : mm)



Absolute Maximum Ratings [Ta=25]

Item	Symbol	Maximum Rated Value	Unit
Reverse Breakdown Voltage	V(BR)R	170	V
Operating Temperature	T _{OPR}	-25 ~ +100	
Storage Temperature	T _{STG}	-30 ~ +125	
Soldering Temperature	T _{SOL}	240	

‡Soldering condition : Soldering condition must be completed within 2 seconds at 240

Electro-Optical Characteristics [Ta=25]

Item	Symbol	Condition	Minimum	Typical	Maximum	unit
Reverse Photo Current	I _L	V _R =10V, L=1000Lx		20		μ A
Reverse Dark Current	I _D	V _R =10V			10	nA
Open Circuit Voltage	V _{OC}	V _R =10V, L=1000Lx		410		mV
Spectral Responsivity (Peak)	P			900		nm
Half Angle of Sensitivity				± 15		deg.
Total Capacitance	C _T	V _R =10V, f=1MHz		6		pF
Rise/Fall Time (10% ~ 90%)	t _r	R _L =1K, V _R =10V		10		ns
	t _f			10		ns