

**PRELIMINARY**

Lead (Pb) Free Product – RoHS Compliant

# L660-66-60 epoxy lens type RED color illuminator

L660-66-60 is a wide viewing and extremely high output power illuminator assembled with a total of 60 high efficiency AlGaAs diode chips, mounted on a metal stem TO-66 with AlN ceramics and covered with double coated clear silicone and epoxy resin. These devices are designed for high current operation with proper heat sinking to improve thermal conductive efficiency.

**◆ Features**

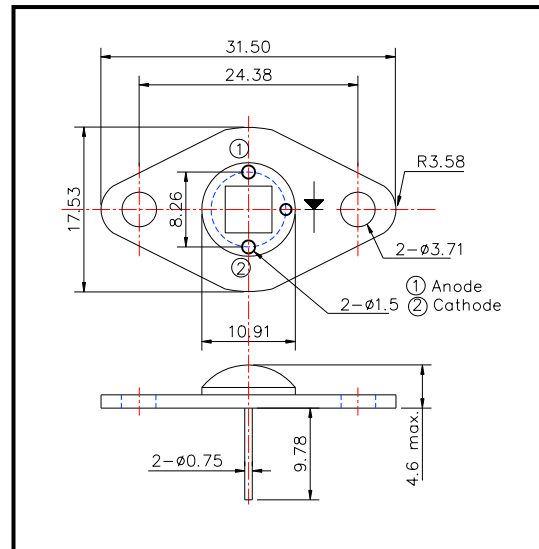
- 1) High reliability
- 2) Compact (TO-66) package
- 3) High output power at 660nm

**◆ Applications**

- 1) For high intensity lighting source

**◆ Specifications**

- 1) Product name      Red color illuminator
- 2) Spec. No.          L660-66-60
- 3) Chip
- (1) Material            AlGaAs
- (2) Peak wavelength 660nm
- 4) Package
- (1) Stem                TO-66 stem with AlN
- (2) Lens                Clear epoxy lens

**◆ Outer dimension (Unit: mm)**

**◆ Absolute Maximum Ratings**

Item	Symbol	Maximum Rated Value	Unit	Ambient Temp.
Power Dissipation	P <sub>D</sub>	4.5	W	T <sub>a</sub> =25°C
Forward Current	I <sub>F</sub>	400	mA	T <sub>a</sub> =25°C
Pulse Forward Current	I <sub>FP</sub>	600	mA	T <sub>a</sub> =25°C
Reverse Voltage	V <sub>R</sub>	50	V	T <sub>a</sub> =25°C
Operating Temperature	T <sub>OPR</sub>	-30 ~ +80	°C	
Storage Temperature	T <sub>STG</sub>	-30 ~ +110	°C	
Soldering Temperature	T <sub>SOL</sub>	240	°C	

‡Pulse Forward Current condition: Duty=1% and Pulse Width=1us.

‡Soldering condition: Soldering condition must be completed within 3 seconds at 260°C

**◆ Electro-Optical Characteristics**

Item	Symbol	Condition	Minimum	Typical	Maximum	Unit
Forward Voltage	V <sub>F</sub>	I <sub>F</sub> =240mA		10.0		V
Brightness	I <sub>V</sub>	I <sub>F</sub> =240mA		3500		mcd
Total Radiated Power	P <sub>O</sub>	I <sub>F</sub> =240mA		180		mW
Radiant Intensity	I <sub>E</sub>	I <sub>F</sub> =240mA		30		mW/sr
Reverse Current	V <sub>R</sub>	I <sub>R</sub> =10uA	50			V
Peak Wavelength	λ <sub>P</sub>	I <sub>F</sub> =240mA	650	660	670	nm
Half Width	Δλ	I <sub>F</sub> =240mA		20		nm
Viewing Half Angle	θ <sub>1/2</sub>	I <sub>F</sub> =240mA		±60		deg.

‡Heat sink is required thermal resistance &lt;8K/W