

L405-66-60-110

Flat Lens Type UV Light Illuminator

L405-66-60-110 is a wide viewing and extremely high output power illuminator assembled with a total of 60 high efficiency InGaN UV diode chips, mounted on a metal stem TO-66 and covered with Flat Glass Cap.

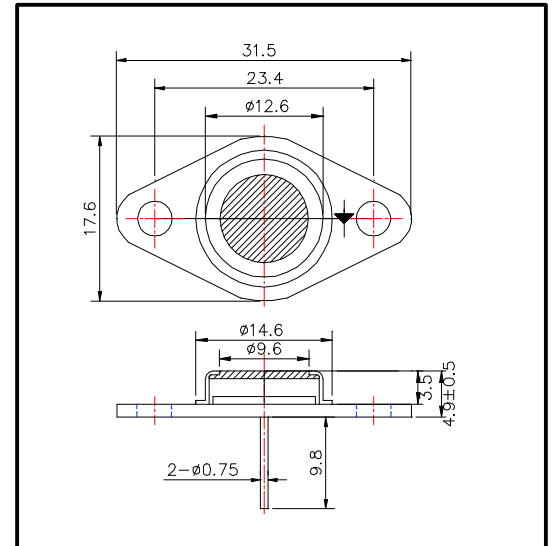
Features

- 1) High reliability
- 2) Compact (TO-66) package
- 3) High output power at 405nm

Specifications

- | | |
|---------------------|----------------|
| 1) Product name | UV illuminator |
| 2) Spec. No. | L405-66-60-110 |
| 3) Chip | |
| (1) Material | InGaN |
| (2) Peak wavelength | 405nm |
| 4) Package | |
| (1) Stem | TO-66 stem |
| (2) Lens | Flat Glass cap |

Outer dimension(Unit:mm)



Absolute Maximum Ratings

Item	Symbol	Maximum Rated Value	Unit	Ambient Temperature
Power Dissipation	P _D	6.0	W	T _a =25°C
Forward Current	I _F	300	mA	T _a =25°C
Pulse Forward Current	I _{FP}	500	mA	T _a =25°C
Reverse Voltage	V _R	30	V	T _a =25°C
Operating Temperature	T _{OPR}	-30 ~ +80	°C	
Storage Temperature	T _{STG}	-30 ~ +100	°C	
Soldering Temperature	T _{SOL}	240	°C	

‡ Pulse Forward Current condition: Duty=1% and Pulse Width=1us.

‡ Soldering condition : Soldering condition must be completed within 3 seconds at 260°C

Electro-Optical Characteristics

Item	Symbol	Condition	Minimum	Typical	Maximum	Unit
Forward Voltage	V _F	I _F =240mA		18.0		V
Brightness	I _V	I _F =240mA		70		mcd
Total Radiated Power	P _O	I _F =240mA		120		mW
Radiant Intensity	I _E	I _F =240mA		30		mW/sr
Reverse Current	V _R	I _R =10uA	30			V
Peak Wavelength	I _P	I _F =240mA	395	405	415	nm
Half Width	DI	I _F =240mA		15		nm
Viewing Half Angle	Q _{1/2}	I _F =240mA		±60		deg.

‡ Heat sink is required thermal resistance <8K/W