

L395-66-60-110

Flat Lens Type UV Light Illuminator

L395-66-60-110 is a wide viewing and extremely high output power illuminator assembled with a total of 60 high efficiency InGaN UV diode chips, mounted on a metal stem TO-66 and covered with Flat Glass Cap.

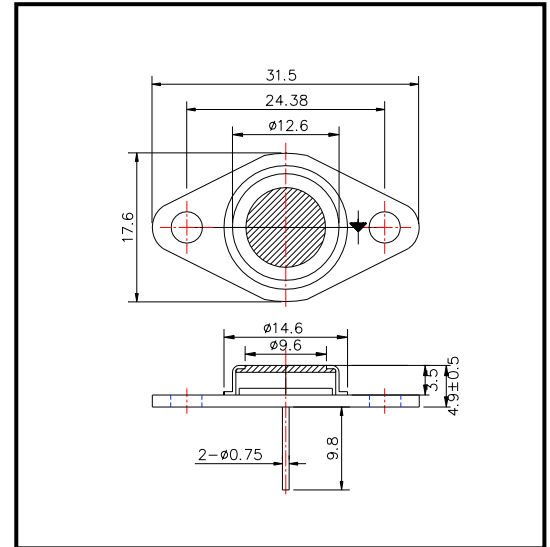
◆ Features

- 1) High reliability
- 2) Compact (TO-66) package
- 3) High output power at 395nm

◆ Specifications

- 1) Product name UV Light Illuminator
- 2) Spec. No. L395-66-60-110
- 3) Chip
 - (1) Material InGaN
 - (2) Peak wavelength 395nm
- 4) Package
 - (1) Stem TO-66 stem
 - (2) Lens Flat Glass cap

◆ Outer dimension(Unit:mm)



◆ Absolute Maximum Ratings

Item	Symbol	Maximum Rated Value	Unit	Ambient Temperature
Power Dissipation	P _D	6.0	W	T _a =25°C
Forward Current	I _F	300	mA	T _a =25°C
Pulse Forward Current	I _{FP}	500	mA	T _a =25°C
Reverse Voltage	V _R	30	V	T _a =25°C
Operating Temperature	T _{OPR}	-30 ~ +80	°C	
Storage Temperature	T _{STG}	-30 ~ +100	°C	
Soldering Temperature	T _{SOL}	240	°C	

‡Pulse Forward Current condition: Duty=1% and Pulse Width=1us.

‡Soldering condition : Soldering condition must be completed within 3 seconds at 260

◆ Electro-Optical Characteristics

Item	Symbol	Condition	Minimum	Typical	Maximum	Unit
Forward Voltage	V _F	I _F =240mA		18.0		V
Brightness	I _V	I _F =240mA		90		mcd
Total Radiated Power	P _O	I _F =240mA		240		mW
Radiant Intensity	I _E	I _F =240mA		-		mW/sr
Reverse Current	V _R	I _R =10uA	30			V
Peak Wavelength	λ _P	I _F =240mA	385	395	405	nm
Half Width	Δλ	I _F =240mA		15		nm
Viewing Half Angle	θ _{1/2}	I _F =240mA		±55		deg.

‡Heat sink is required thermal resistance <8K/W

‡Brightness is measured by Tektronix J-16.

‡Radiated Power is measured by Ando Optical Multi Meter AQ2140 & AQ2741