

L365-66-60

Silicone resin potting Type UV Light Illuminator

L365-66-60 is a wide viewing and extremely high output power illuminator assembled with a total of 60 high efficiency AlGaIn UV diode chips, mounted on a metal stem TO-66 and covered with silicone-resin.

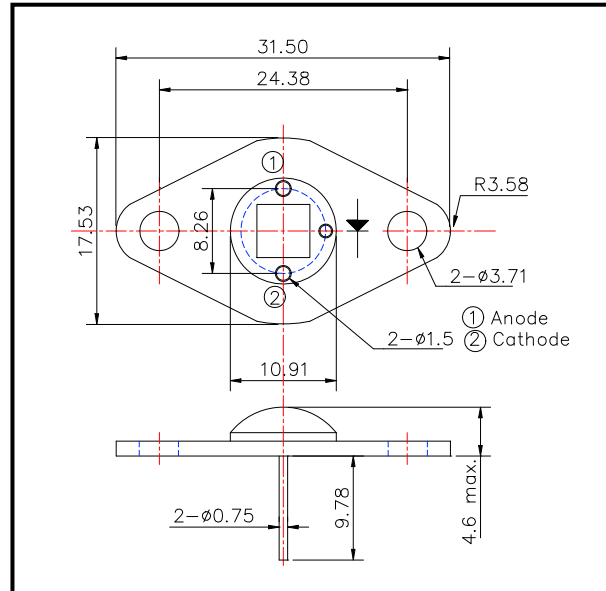
◆ Features

- 1) Compact (TO-66) package
- 2) High output power at 365nm

◆ Specifications

- 1) Product name UV Light Illuminator
- 2) Spec. No. L365-66-60-110
- 3) Chip
 - (1) Material AlGaIn
 - (2) Peak wavelength 365nm
- 4) Package
 - (1) Stem TO-66 stem Cu made
 - (2) Lens Silicone resin

◆ Outer dimension (Unit: mm)



◆ Absolute Maximum Ratings

Item	Symbol	Maximum Rated Value	Unit	Ambient Temperature
Power Dissipation	PD	9.0	W	Ta=25°C
Forward Current	IF	400	mA	Ta=25°C
Pulse Forward Current	IFP	-	mA	Ta=25°C
Reverse Voltage	VR	20	V	Ta=25°C
Operating Temperature	TOPR	-30 ~ +80	°C	
Storage Temperature	TSTG	-30 ~ +100	°C	
Soldering Temperature	TSOL	265	°C	

‡Pulse Forward Current condition: Duty=1% and Pulse Width=1us.

‡Soldering condition : Soldering condition must be completed within 3 seconds at 265°C

◆ Electro-Optical Characteristics

Item	Symbol	Condition	Minimum	Typical	Maximum	Unit
Forward Voltage	VF	IF=250mA		20.0		V
Brightness	IV	IF=250mA		-		mcd
Total Radiated Power	PO	IF=250mA		100		mW
Radiated Intensity	Ee	IF=250mA		210		mW/cm ²
Peak Wavelength	λP	IF=250mA	355	365	365	nm
Half Width	Δλ	IF=250mA		20		nm
Viewing Half Angle	θ 1/2	IF=200mA		±55		deg.

‡Heat sink is required to protect LED at 60°C or less.

‡Total Radiated Power is measured by S3584-08