

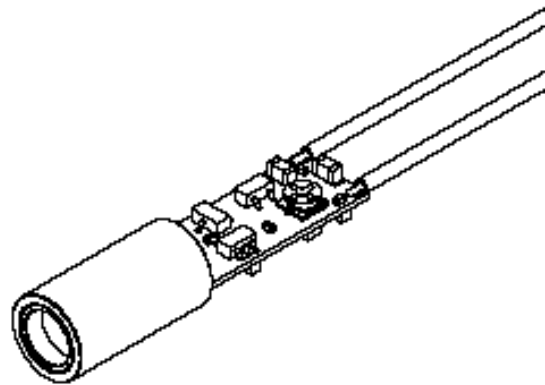
Φ8mm Green Laser Module

Features

1. APC (auto power control) driver circuit
2. Wide input voltage range (3~ 5VDC)
3. Stable Output power of <1mW
4. High quality glass lens for output beam

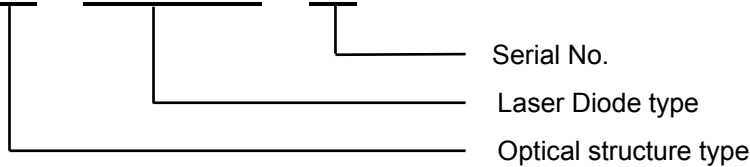
Applications

1. General purpose green laser light source
2. Industrial laser marker
3. Gun sight aiming
4. Laser leveler



Part No. Indications:

AML 03 – 52501UY – 02



Absolute maximum ratings (T_c=25 °C)

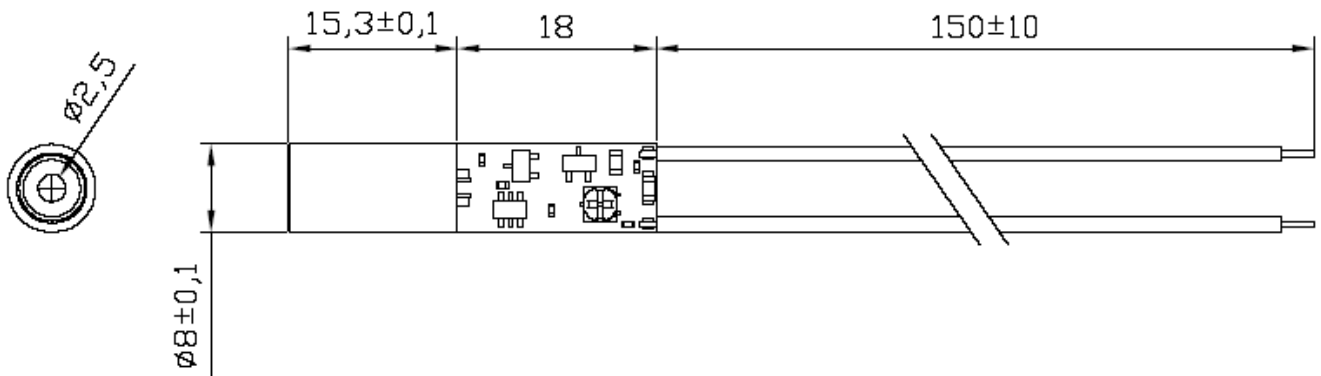
Item	Symbol	Rating	Unit
Power supply voltage	V _{cc}	6	V
Laser Module optical output power	P _o	1	mW
Operation Case Temperature	T _c	0~60	°C
Storage Temperature	T _{stg}	-40~80	°C

Electrical and optical characteristics (T_c=25 °C)

Item	Symbol	Min.	Typ.	Max	Unit	Condition
Wavelength	λ	510	-	525	nm	P _o =1mW
Output power	P _{out}		<1		mW	V _{cc} =3V
Operation current	I _{op}	-	180	250	mA	P _o =1mW V _{cc} =3V
Operation voltage	V _{op}	3		5	Volt	
Laser Beam spot size at 10m				<15mm		
Divergence angle				1.5 mrad		

Outline dimensions (Units: mm)

PRELIMINARY



Unit: mm

Red wire : Vcc

Black wire : GND

Laser Safety Precautions

1. Do not look into the laser beam directly by eyes. The laser beam may cause severe damage to human eyes.
2. Optical Lens is made of glass . Do not contaminate lens by soiling, oil or chemical.